

AGGRESALP™ 125



FEATURES

- Semi-mobile
- Electric powered
- Integrated hydraulic powerpack for set up
- Pre wired & pre plumbed
- Quick set up
- Integrated discharge conveyors
- 2-way & 3-way split



AGGREGATES






RECYCLING



MINING

AggreScalp

APPLICATIONS

-  AGGREGATES
-  RECYCLING
-  MINING

KEY FEATURES

HOPPER

- 7m³ capacity (9.2 cu yd)
- Heavy duty sides with optional hydraulic positioning extended sides

FEED CONVEYOR

- Heavy duty impact bars and rollers
- Variable speed control
- 1300mm heavy duty belt

125 HEAVY DUTY SCREEN

- 3.6m x 1.25m (12' x 4.5') 2 deck heavy duty 2-bearing screen
- 15kW compact electric screen drive
- Hydraulic screen angle adjustment 13° - 19°
- Modular screen suitable for bofor, finger, punch plate and mesh screen media & combined finger/ punch plate

OVERSIZE CONVEYOR

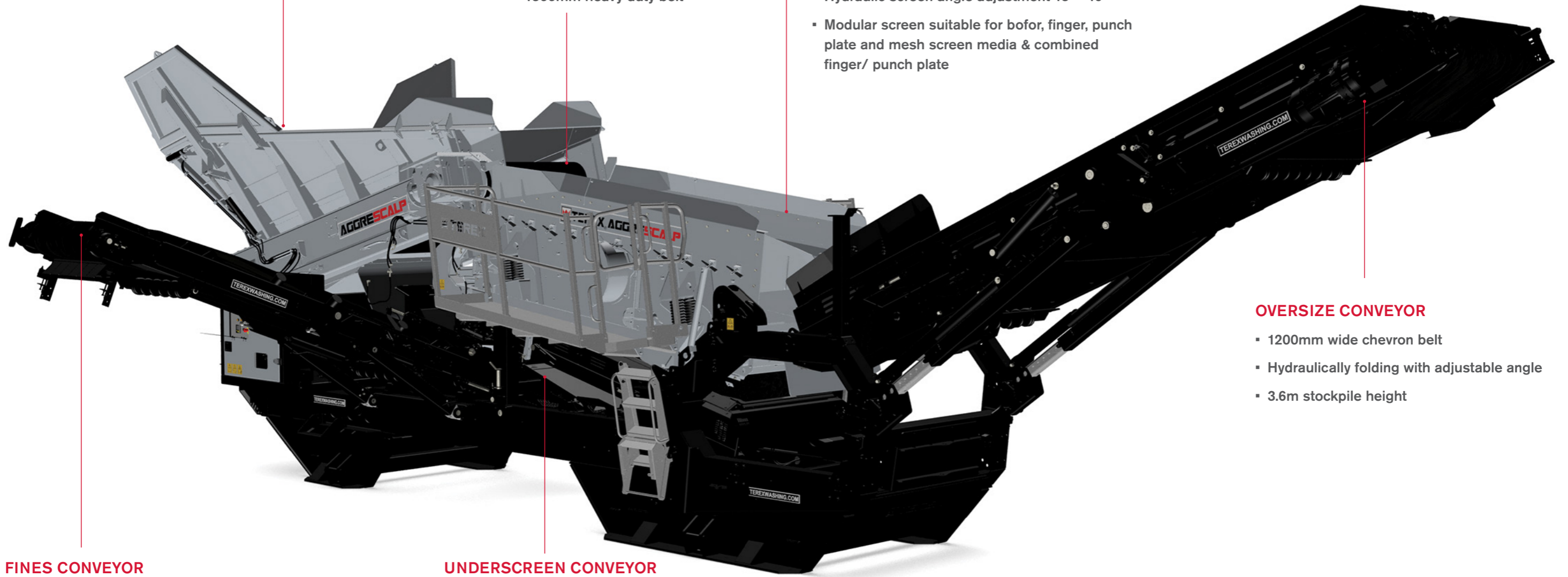
- 1200mm wide chevron belt
- Hydraulically folding with adjustable angle
- 3.6m stockpile height

FINES CONVEYOR

- 900mm wide belt with impact bars
- Hydraulically folding, angle adjustable
- Tungsten tip scraper

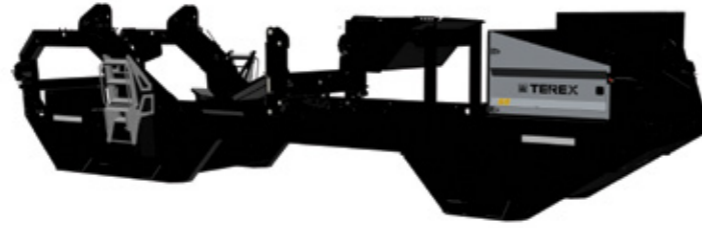
UNDERSCREEN CONVEYOR

- 1200mm wide belt



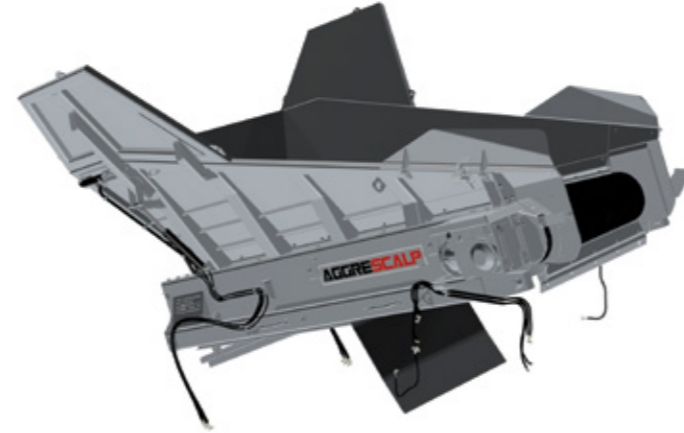
CHASSIS

- Heavy duty robust design
- Integrated 11kW hydraulic power pack for machine Set-up
- Under side clearance for maintenance & wash down



HOPPER & FEED CONVEYOR

- 7.0m³ (9.2 cu. yd.) heavy duty hopper manufactured from wear resistant steel with optimised reinforcement
- Rear wall collapsible for direct feeding
- Optional hydraulically folding side hopper extensions
- 1300mm (51") wide heavy duty beltfeeder impact bars & rollers
- Variable speed 7.5kW motor and gearbox drive
- Supergrip drive drum as standard
- Heavy duty apron feeder
- Stay clean system under feeder



125 HEAVY DUTY SCREEN & WALKWAY

- 3.6m x 1.25m (12' x 4.5') 2 deck heavy duty 2-bearing screen
- 15kW compact electric screen drive
- Hydraulic screen angle adjustment 13° - 19°
- Modular screen suitable for bofor, finger, punch plate and mesh screen media & combined finger/ punch plate
- Galvanised walkways on both sides of screen
- 650mm (26") wide
- Walkways on both sides of the machine



OVERSIZE CONVEYOR

- Chevron belt for decreased roll back
- Adjustable angle
- 1200mm (48") wide belt
- Variable speed 11kW motor and gearbox drive



FINES COLLECTION

- 1200mm (48") wide belt
- 4 kW motor and gearbox drive
- Jack-up screen facility plus collection conveyor raise facility for access



FINES SIDE CONVEYOR

- 900mm (35") wide belt
- 11kW motor and gearbox drive
- Hydraulic folding with angle adjustment
- Optional shortened conveyor (for feeding AggreSand plant)
- Chevron belt option

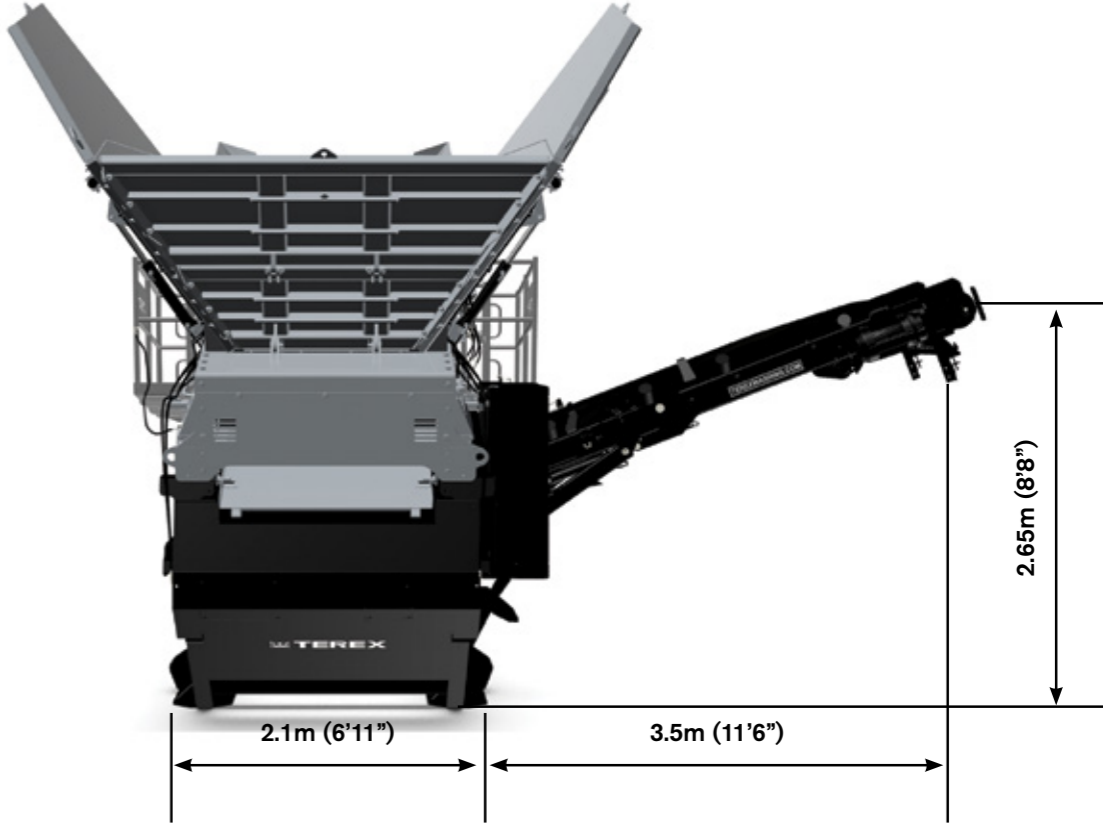
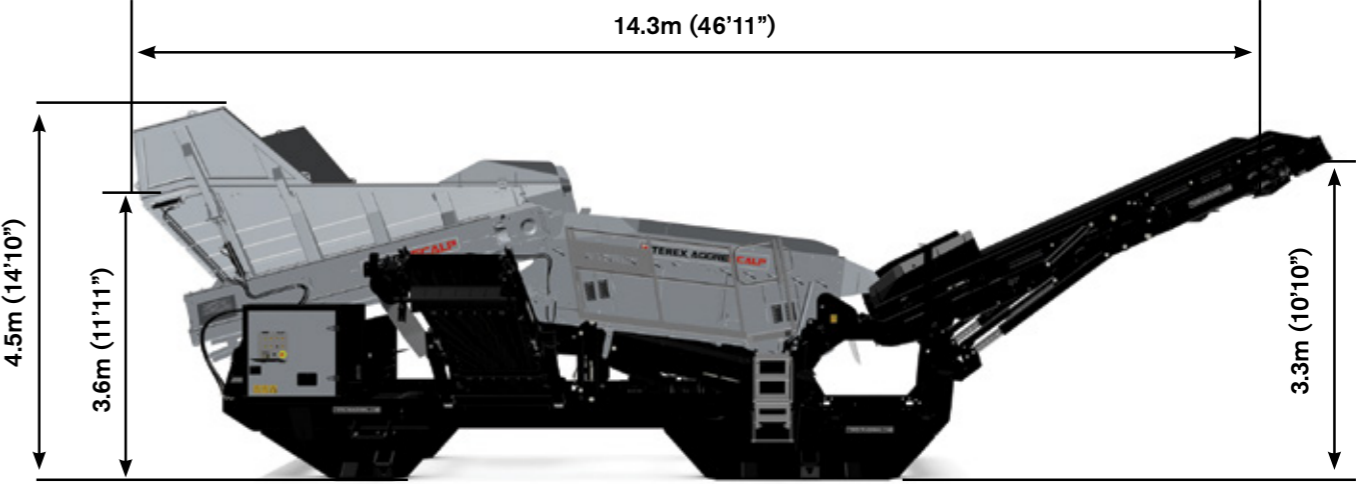
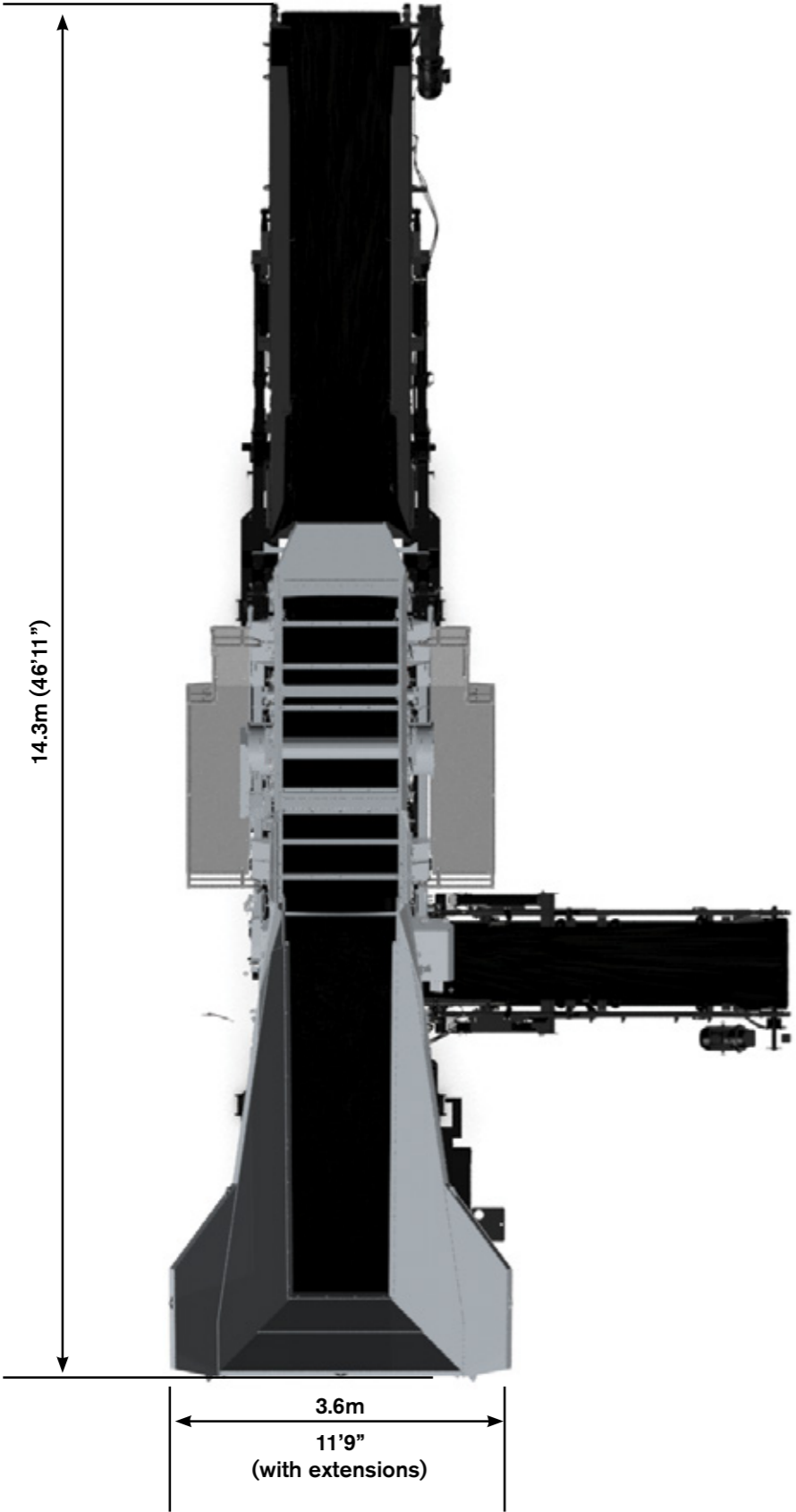


MID-GRADE SIDE CONVEYOR (OPTION FOR 3-WAY SPLIT CONFIGURATION)

- 900mm (35") wide belt
- 11kW motor and gearbox drive
- Hydraulic folding with angle adjustment
- Chevron belt option

DIMENSIONS

WORKING DIMENSIONS - AGGRESALP - 2-WAY SPLIT
(SHORTENED SIDE CONVEYOR)



TEREX WASHING SYSTEMS CONTACT DETAILS

Dungannon Site

200 Coalisland Road
Dungannon
Co. Tyrone
Northern Ireland
BT71 4DR

Tel: +44(0) 28 8771 8500

Email: TWS.sales@terex.com

www.terex.com/washing

Linked  YouTube 

Check out Terex Washing Systems videos
on YouTube: www.youtube.com/terexwashingsystems



Effective Date: March 2016 Product specifications and prices are subject to change without notice or obligation. The photographs and/or drawings in this document are for illustrative purposes only. Refer to the appropriate Operator's Manual for instructions on the proper use of this equipment. Failure to follow the appropriate Operator's Manual when using our equipment or to otherwise act irresponsibly may result in serious injury or death. The only warranty applicable to our equipment is the standard written warranty applicable to the particular product and sale and Terex makes no other warranty, express or implied. Products and services listed may be trademarks, service marks, or trade names of Terex Corporation and/or its subsidiaries in the USA and other countries. All rights are reserved. Terex is a registered trademark of Terex Corporation in the USA and many other countries. © 2010 Terex Corporation.

 **TEREX**[®]
WASHING SYSTEMS

WASHING AS IT SHOULD BE